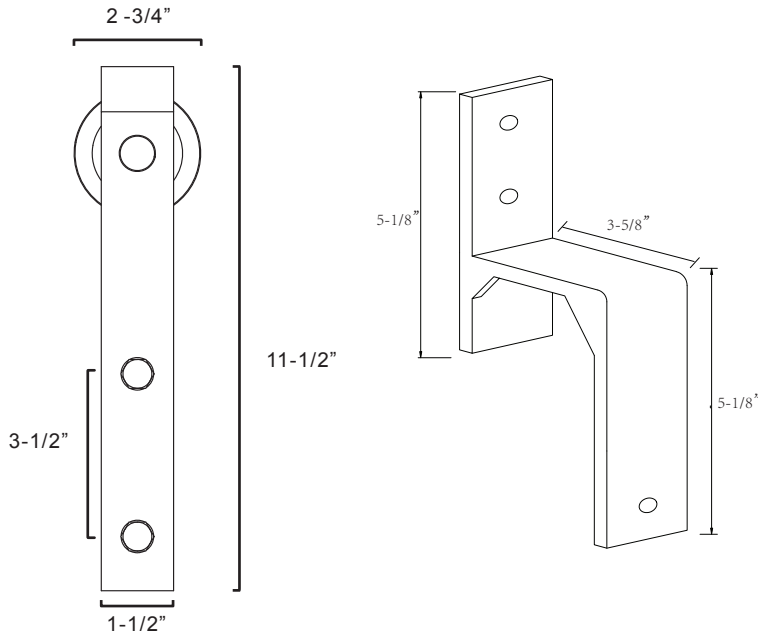


BARN DOOR HARDWARE BYPASS KIT

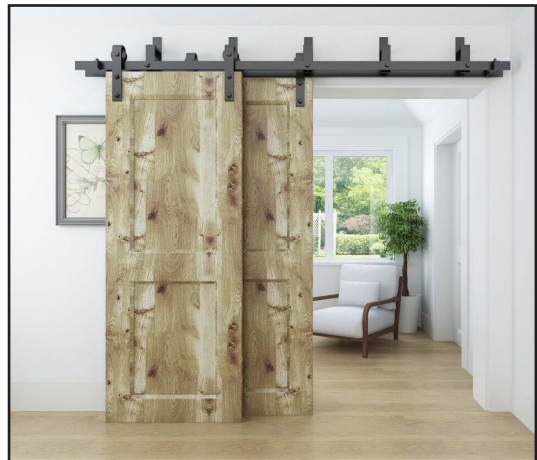


Weight Limit:
330 Lbs per set

Description	Finish	Item No.	CTN QTY	WT/CTN
Barn Door 6' Bypass Kit	Black	BD1264	1	40
Barn Door 8' Bypass Kit	Black	BD1284	1	43

Series Includes:

- 4 Hangers w/ Quiet Bearing Wheels
- 2 Tracks (Pre-drilled)
- Standoffs & Lag Bolts
- 4 Door Stops
- 4 Bypass Connectors
- 2 Door Guides
- 4 Anti-Jump Discs
- Bolts, Nuts, & Washers



DELANEY®

Copyright © DELANEY HARDWARE. All rights reserved.