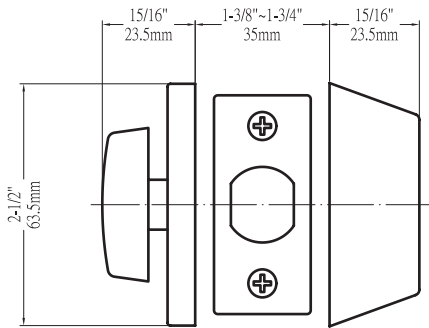
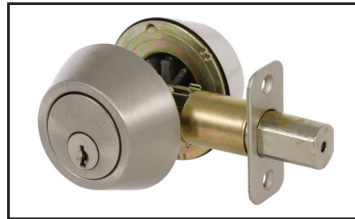
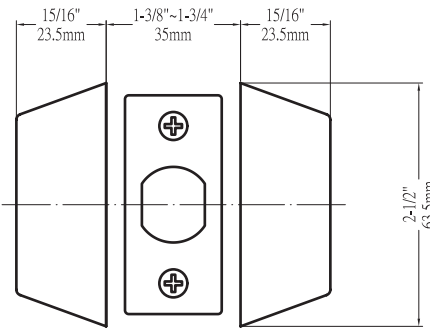


DEADBOLTS GRADE 3

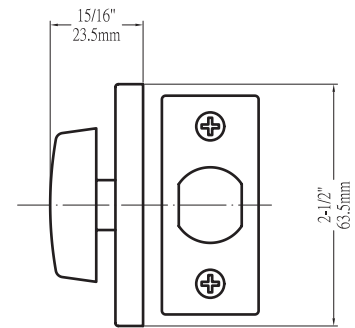
CALLAN®



Single Cylinder (200)



Double Cylinder (210)



One-Sided Half Bore (205)

STANDARD SPECIFICATIONS

Door Prep	Cross bore: 2-1/8" Edge bore: 1" Latch face: 1" x 2-1/4"	Latches	Deadbolt: 2-3/8" & 2-3/4" adjustable (9092) Faceplate: 1" x 2-1/4" round corner Bolt: 1" throw with hardened steel rod
Backset	200S / 201S: Fits 2-3/8" and 2-3/4" 205S: Fixed 2-3/8"	Strikes	2-1/4" full lip round corner (9113 & 9117)
Door Thickness	1-3/8" ~ 1-3/4" door standard 2-1/4" Ext. Kit available	Wood Screws	Combination screws that suit both wood or metal door mounting
Cylinder	KW1 5-pin standard. SC1 5-pin optional Deadbolts packed KA5	Door Handing	Not Required

Model	Function	US3 Bright Brass	US5 Antique Brass	US15 Satin Nickel	US15A Antique Nickel	US26 Polished Chrom	AS Antique Silver	US10B Oil Rubbed Bronze	US10BE Edged Bronze	BL BLACK	
200S	Single Cylinder	Item No.	KA2003	KA2005	KA2001	KA2008	KA2006	KA2002	KA2000	KA2007	KA2004
210S	Double Cylinder	Item No.	KA2103	KA2105	KA2101	KA2108	KA2106	KA2102	KA2100	KA2107	KA2104
205S	One- Sided Half-Bore	Item No.	KD2003	KD2005	KD2001	—	—	—	—	—	—
	Turn Button Only	Item No.	KA3203	KA3205	KA3201	KA3208	KA3206	KA3202	KA3200	KA3207	KA3204

CTN/QTY & WEIGHTS

Model	Function	WT/LB	CTN QTY
200S	Single Cylinder	27 Lbs	20 Pcs
210S	Double Cylinder	36 Lbs	20 Pcs
205S	One-Sided Half-Bore	15 Lbs	20 Pcs

Extension Kits Available



DELANEY®

Copyright © DELANEY HARDWARE. All rights reserved.