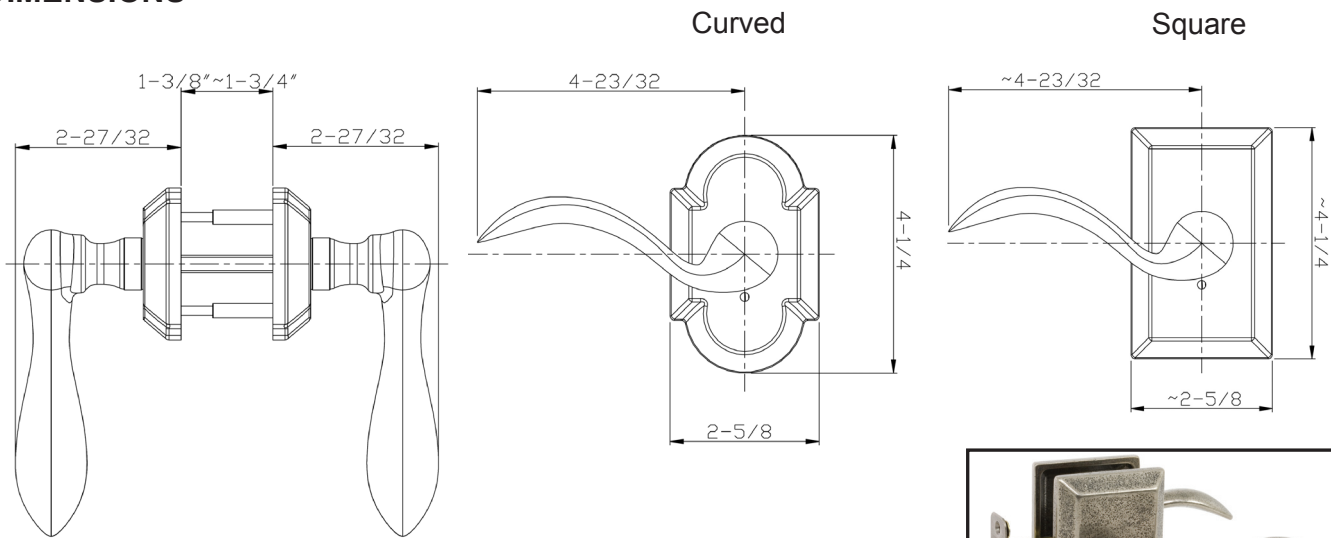


# TIARA

## SANDCAST COLLECTION



### DIMENSIONS

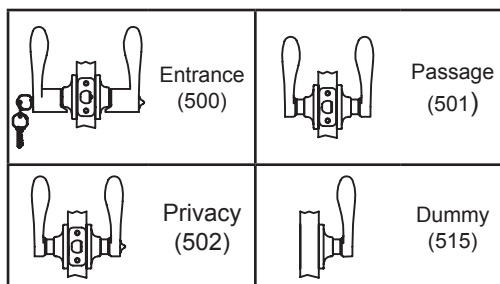


### STANDARD SPECIFICATIONS

<b>Door Prep</b>	Cross bore: 2-1/8" Edge bore: 1" Latch face: 1" x 2-1/4"	<b>Latches</b>	Entrance: 2-3/8" & 2-3/4" adjustable (9050R) Passage/Privacy: 2-3/8" & 2-3/4" adjustable (9079R) Faceplate: 1" x 2-1/4" round corner Bolt: 1/2" Solid Brass throw
<b>Backset</b>	Fits 2-3/8" and 2-3/4"	<b>Strikes</b>	1-3/4" x 2-1/4" full lip round corner (9103)
<b>Door Thickness</b>	1-3/8" ~ 1-3/4" door standard.	<b>Wood Screws</b>	Combination screws that suit both wood or metal door mounting
<b>Cylinder</b>	SC4 6-pin standard. KW1 5-Pin Optional. Entries packed KA4	<b>Door Handing</b>	Specify LH or RH for for Entrance & Dummy Passage & Privacy are reversible

Model	Function	WT/CTN	CTN QTY	AP Aged Pewter		ABR Aged Bronze		ABK Aged Black		
				CURVED	SQUARE	CURVED	SQUARE	CURVED	SQUARE	
500T-TI	Entrance	20 Lbs	4 Pcs	691608C	691608S	691600C	691600S	691609C	691609S	
501T-TI	Passage	28 Lbs	6 Pcs	Item No.	694608C	694608S	694600C	694600S	694609C	694609S
502T-TI	Privacy	28 Lbs	6 Pcs	Item No.	692608C	692608S	692600C	692600S	692609C	692609S
515-TI	Dummy	24 Lbs	12 Pcs	Item No.	695608C	695608S	695600C	695600S	695609C	695609S

### FUNCTIONS



### HANDING GUIDE

Standing OUTSIDE the private area, regardless of whether the door swings toward you or away from you, if the Hinges are on the left, order a Left Hand (LH) lock. Likewise, if the Hinges are on the right, order a Right Hand (RH) lock.

