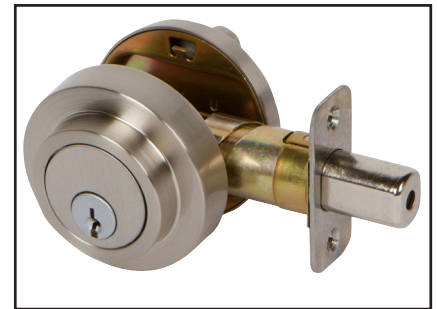
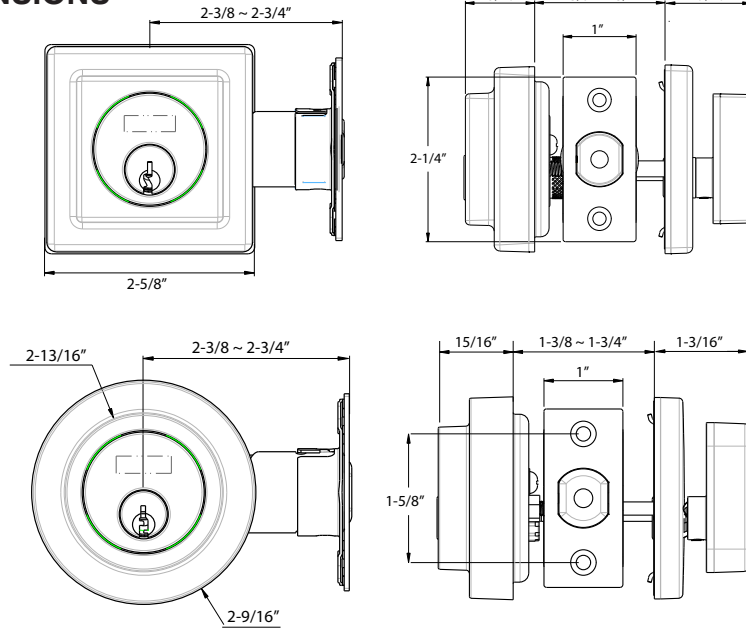


DEADBOLTS CONTEMPORARY



DIMENSIONS



STANDARD SPECIFICATIONS

Door Prep	Cross bore: 2-1/8" Edge bore: 1" Latch face: 1" x 2-1/4"	Latches	2-3/8" & 2-3/4" adjustable (9094) Faceplate: 1" x 2-1/4" round corner Bolt: Brass with hardened steel rod. Full 1" throw
Backset	Fits 2-3/8" and 2-3/4"	Strikes	1-3/4" x 2-1/4" Rd & Sq Corner (9113 & 9117) Includes Reinforcement Strike
Door Thickness	1-3/8" ~ 1-3/4" door standard , 2-1/4" Ext. Kit Available	Wood Screws	Combination screws that suit both wood or metal door mounting. Includes 3" Security Screws
Cylinder	KW1 5-Pin standard (Solid Brass), SC4 6-pin Optional Deadbolts packed KA4	Door Handing	Not Required

Model	Function	WT/LB	CTN QTY	Finish			
				US15 Satin Nickel	US26 Polished Chrome	US12P Tuscany Bronze	
200-LTS	Square Single Cylinder	20 Lbs	12 Pcs	Item No.	355001	355006	355007
205-LTS	Square One-Sided (Half Bore)	13 Lbs	12 Pcs	Item No.	353001	353006	353007
	Square Turn Button		Each	Item No.	310601	310606	310610
	Square Turn Button & Kira Lever		Each	Item No.	352571	352576	352577
200-TR	Round Single Cylinder	20 Lbs	12 Pcs	Item No.	345001	345006	345007
205-LTS	Round One-Sided (Half Bore)	13 Lbs	12 Pcs	Item No.	356001	356006	356007

FUNCTIONS

Single Cylinder (200)	One-Sided (205)



DELANEY

Copyright © THE DELANEY CO. All rights reserved.