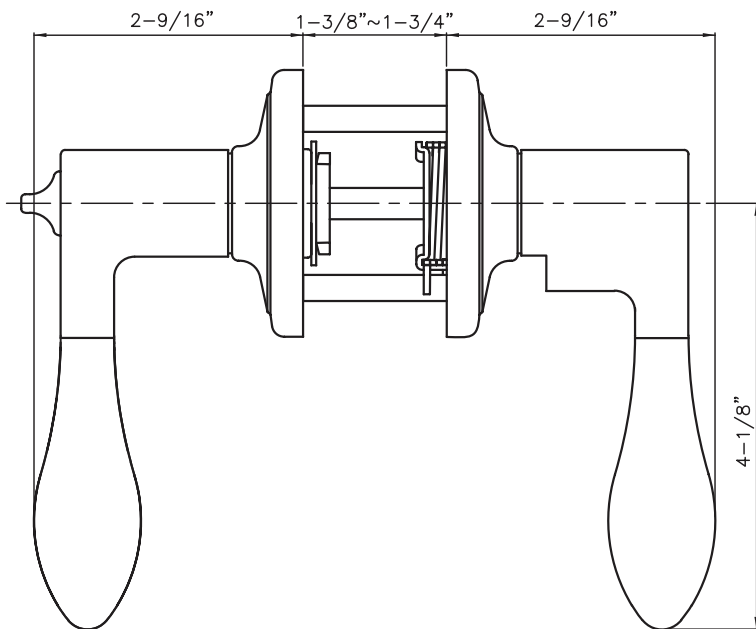


# SHELTON™

## GRADE 3



### DIMENSIONS

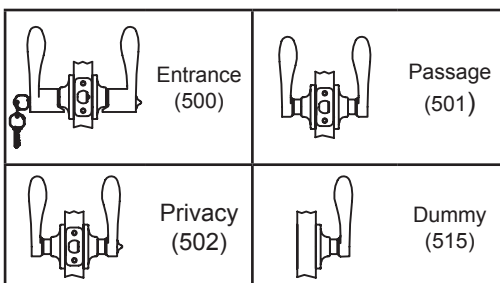


### STANDARD SPECIFICATIONS

<b>Door Prep</b>	Cross bore: 2-1/8" Edge bore: 1" Latch face: 1" x 2-1/4"
<b>Backset</b>	Fits 2-3/8" and 2-3/4"
<b>Door Thickness</b>	1-3/8" ~ 1-3/4" door standard
<b>Cylinder</b>	KW1 5-pin <b>standard</b> (Solid Brass) SC1 5-Pin optional. Entries packed KA5
<b>Latches</b> <i>(6-Way Available)</i>	Entrance: 2-3/8" & 2-3/4" adjustable (9045R) Passage/Privacy: 2-3/8" & 2-3/4" adj. (9074) Faceplate: 1" x 2-1/4" round corner Bolt: 1/2" throw
<b>Strikes</b>	1-3/4" x 2-1/4" full lip round corner (9103)
<b>Wood Screws</b>	Combination screws that suit both wood or metal door mounting
<b>Door Handing</b>	Reversible Handing required for Dummy function only

Model	Function	WT/CTN	CTN QTY	US15 Satin Nickel		US12P Tuscany Bronze	
				Item No.		Item No.	
500T - SH	Entrance	26 Lbs	20 Pcs	D21120		D21127	
501T - SH	Passage	23 Lbs	20 Pcs	D24120		D24127	
502T - SH	Privacy	24 Lbs	20 Pcs	D22120		D22127	
515 - SH	Dummy	15 Lbs	20 Pcs	D25120		D25127	

### FUNCTIONS



### HANDING GUIDE

