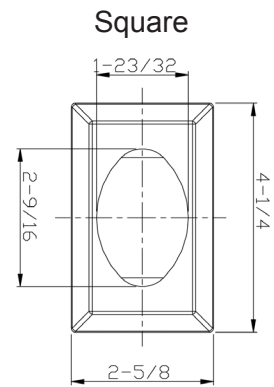
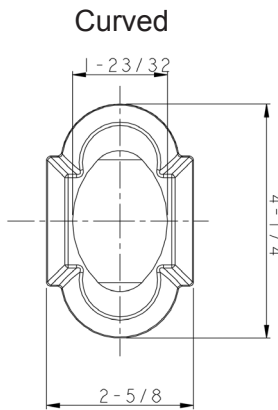
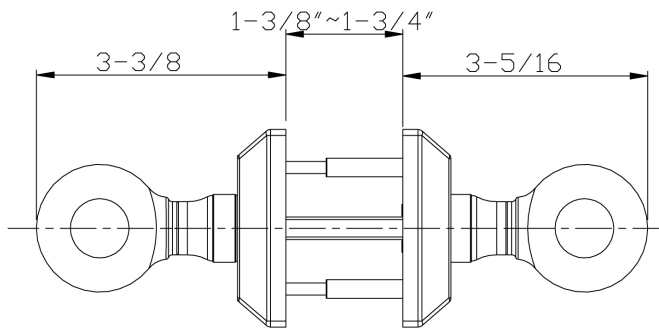


SORRENTO®

SANDCAST COLLECTION



DIMENSIONS

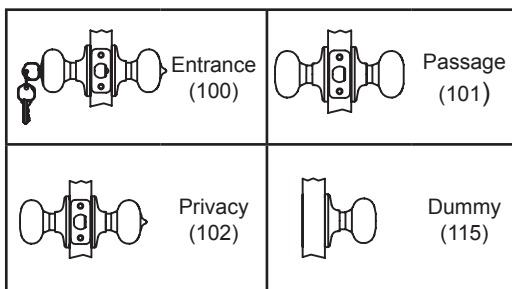


STANDARD SPECIFICATIONS

Door Prep	Cross bore: 2-1/8" Edge bore: 1" Latch face: 1" x 2-1/4"	Latches	Entrance: 2-3/8" & 2-3/4" adjustable (9050R) Passage/Privacy: 2-3/8" & 2-3/4" adjustable (9079R) Faceplate: 1" x 2-1/4" round corner Bolt: 1/2" Solid Brass throw
Backset	Fits 2-3/8" and 2-3/4"	Strikes	1-3/4" x 2-1/4" full lip round corner (9103)
Door Thickness	1-3/8" ~ 1-3/4" door standard.	Wood Screws	Combination screws that suit both wood or metal door mounting
Cylinder	SC4 6-pin standard. KW1 5-Pin Optional. Entries packed KA4	Door Handing	Not Required

Model	Function	WT/CTN	CTN QTY	AP Aged Pewter		ABR Aged Bronze		ABK Aged Black		
				CURVED	SQUARE	CURVED	SQUARE	CURVED	SQUARE	
100T-SO	Entrance	21 Lbs	4 Pcs	Item No.	681308C	681308S	681300C	681300S	681309C	681309S
101T-SO	Passage	31 Lbs	6 Pcs	Item No.	684308C	684308S	684300C	684300S	684309C	684309S
102T-SO	Privacy	31 Lbs	6 Pcs	Item No.	682308C	682308S	682300C	682300S	682309C	682309S
115-SO	Dummy	25 Lbs	12 Pcs	Item No.	685308C	685308S	685300C	685300S	685309C	685309S

FUNCTIONS



DELANEY®

Copyright © DELANEY HARDWARE. All rights reserved.