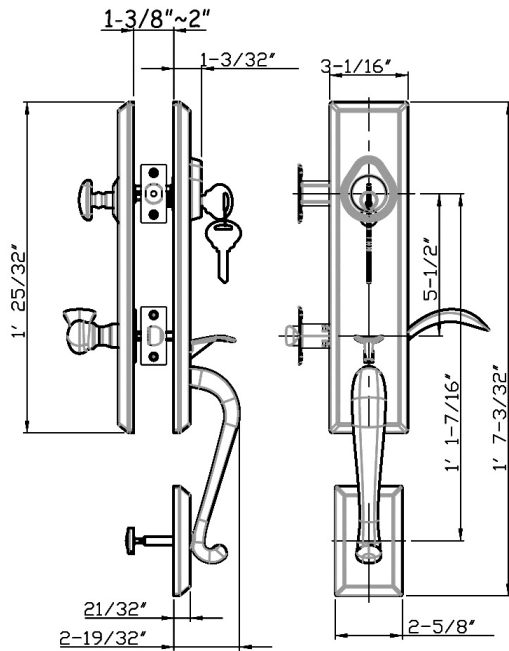


# STONEHENGE®

## SANDCAST COLLECTION



### DIMENSIONS



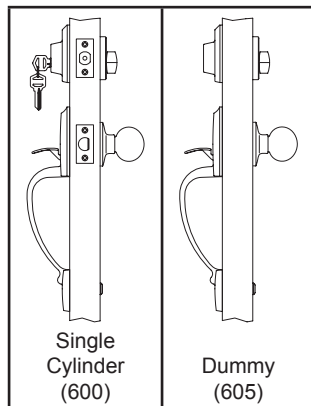
### SPECIFICATIONS

<b>Door Prep</b>	Deadbolt cross bore: 2-1/8" Handleset cross bore: 2-1/8" Edge bore: 1" Latch Face: 1" x 2-1/4" Mounting (center to center) 5-1/2"	<b>Latches</b>	Deadbolt: 2-3/8" and 2-3/4" adjustable (9092) Faceplate: 1" x 2-1/4" round corner Bolt: Brass with hardened steel rod, full 1" throw Handle: 2-3/8" & 2-3/4" adjustable (9079R) Faceplate: 1" x 2-1/4" round corner Bolt: 1/2" Solid Brass throw
<b>Backset</b>	Fits 2-3/8" and 2-3/4"	<b>Strikes</b>	Deadbolt: Full lip round corner (9117 & 9113) Handle: Full lip round corner (9103)
<b>Door Thickness</b>	1-3/8" ~ 2" door standard, 2-1/4" Ext. Kit Available	<b>Wood Screws</b>	Combination screws that suit both wood or metal door mounting Includes 3" Security Screws
<b>Cylinder</b>	SC4 6-pin standard. KW1 5-Pin Optional Handlesets packed KD	<b>Door Handling</b>	Specify handing when ordering lever as Interior option
<b>Interconnected</b>	600-Single Cylinder Handleset only		

Model	Function	WT/CTN	CTN QTY	AP Aged Pewter	ABR Aged Bronze	ABK Aged Black
600-ST	Single Cylinder	29 Lbs	2 Pcs	Item No.	660608	660600
605-ST	Dummy	29 Lbs	2 Pcs	Item No.	661608	661600

### FUNCTIONS

\*Split Finish Available - Handlesets Only



# DELANEY®

Copyright © DELANEY HARDWARE. All rights reserved.