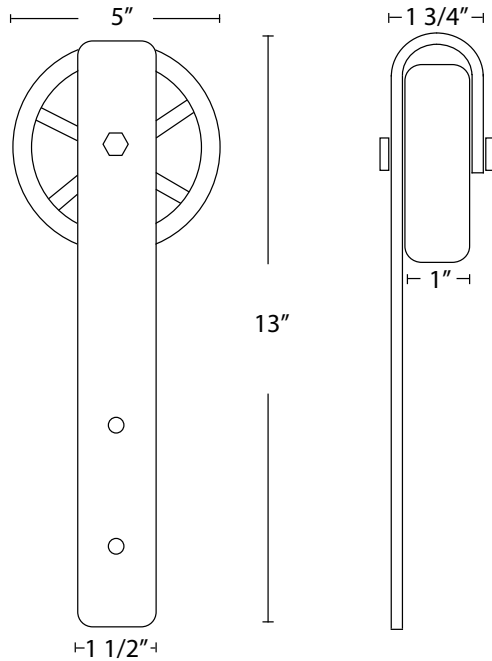


BARN DOOR HARDWARE 5000 SERIES



Weight Limit:
330 Lbs per set

Description	Finish	Item No.	CTN QTY	WT/CTN
5000 Series 6 FT Barn Door Hardware (Wagon Wheel)	Black	BD5064	1	18 Lbs
5000 Series 6 FT Barn Door Hardware (Wagon Wheel)	Bronze	BD5069	1	18 Lbs
5000 Series 6 FT Barn Door Hardware (Wagon Wheel)	Brushed Steel	BD5061	1	18 Lbs
5000 Series 6 FT Barn Door Hardware (Wagon Wheel)	Satin Nickel	BD5062	1	18 Lbs
5000 Series 8 FT Barn Door Hardware (Wagon Wheel)	Black	BD5084	1	20 Lbs
5000 Series 8 FT Barn Door Hardware (Wagon Wheel)	Satin Nickel	BD5082	1	20 Lbs

Additional wagon wheel styles, track lengths, and finishes available on special order basis.
Please call for details.

Series Includes:

- 2 Hangers w/ Bearing Wheels
- Track
- Standoffs & Lag Bolts
- 2 Door Stops
- 1 Door L Guide
- Anti-Jump Disc
- Bolts, Nuts, & Washers

