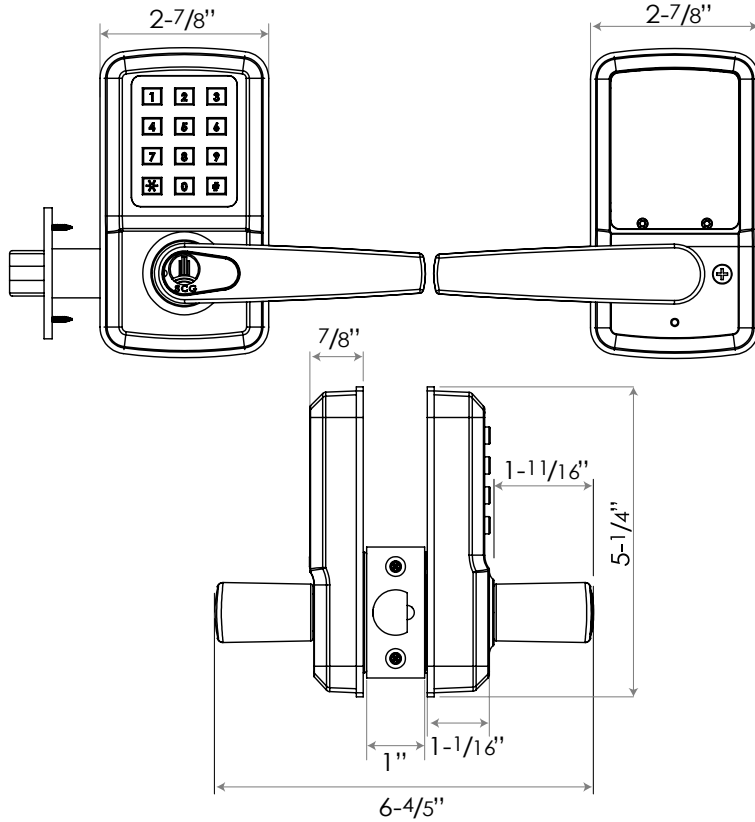


# SK500

## KEYPAD LEVER LOCK



### DIMENSIONS



### STANDARD SPECIFICATIONS

<b>Door Prep</b>	Cross bore: 2-1/8" Edge bore: 1" Latch face: 1" x 2-1/4"	<b>Power</b>	6V (4-AA batteries included) Estimated battery life is 1 year
		<b>Door Thickness</b>	Fits 1-3/8" ~ 2" door
<b>Backset</b>	Fits 2-3/8" and 2-3/4"	<b>Passcode</b>	4-6 digits, Maximum of 9 Passcodes supported
<b>Strikes</b>	9103 & 9101	<b>Master Passcodes</b>	4-6 digits, Maximum of 1 Master Passcode supported
<b>Cylinder</b>	<b>KW1 5-pin only, can not be rekeyed</b>	<b>Warranty Period</b>	2 years
<b>Latches</b>	Deadlatch for maximum security	<b>Door Handing</b>	Specify RH or LH when ordering

Model	Function	WT/CTN	CTN QTY	Finish			
				US15 Satin Nickel	US10B Oil Rubbed Bronze	PVD - US3 Lifetime Brass	
SK500	Digital Lock Milton Lever	36 Lbs	8 Pcs	Item No.	301606	301607	301608
SK500	Digital Lock Logan Lever	36 Lbs	8 Pcs	Item No.	301660	301661	301663



**DELANEY**

Copyright © DELANEY HARDWARE. All rights reserved.