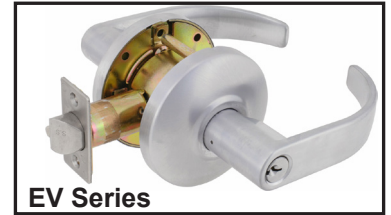
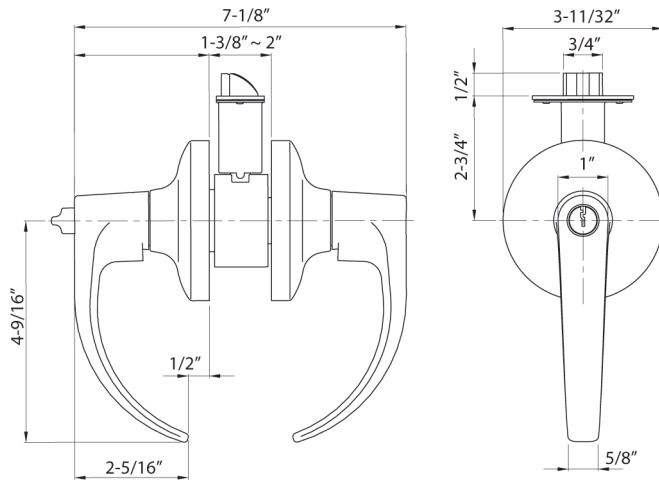


E SERIES - SD STYLE GRADE 2 CYLINDRICAL LEVER



DIMENSIONS



STANDARD SPECIFICATIONS



Door Prep	Cross bore: 2-1/8" Edge bore: 1" Latch face: 2-3/4": 1-1/8" x 2-1/4" 2-3/8": 1" x 2-1/4"	Latches	Entrance: 2-3/4" (E9070T) standard. 2-3/8" (E9060T) optional Pass/Priv: 2-3/4" (E9073T) standard. 2-3/8" (E9063T) optional Faceplate: 2-3/4": 1-1/8" x 2-1/4". 2-3/8": 1" x 2-1/4" Sq. Corner Bolt: 1/2" Stainless Steel throw. Meets 3-Hr. Fire Rating
Backset	2-3/4" UL Latch standard, 2-3/8" optional	Strikes	4-7/8" ANSI Strike standard (9109)
Door Thickness	1-3/8" ~ 2". Adjustable mounting plate	Door Handing	Not Required
Cylinder	SC4 6-pin standard, KW1 5-pin optional Entries packed KA2	Interchangeable Core	Optional small-format 6-pin or 7-pin available
ANSI & Federal Standards	<ul style="list-style-type: none"> Meets & exceeds requirements of BHMA/ANSI A156.2 Series 4000, GR2, 400,000 Cycles. Meets FF-H-106C Federal Standard. 	Product Features	<ul style="list-style-type: none"> Independent Torsion Spring Concealed Mounting Screws Clutch Function Removable Through Bolts Anti-Friction Latch Retractor Panic Proof - Push/Turn

ITEM DETAILS

Model	Function	WT/LB	CTN QTY	EV Series		EC Series - IC Core (Core not included)		
				US26D Dull Chrome	US10B Oil Rubbed Bronze	US26D IC Core Dull Chrome	US10B IC Core Oil Rubbed Bronze	
500-E	Entrance	29 Lbs	6 Pcs	Item No.	3S5002	3S5000	3S5102	3S5100
504-E	Storeroom	29 Lbs	6 Pcs	Item No.	3S5042	3S5040	3S5142	3S5140
509-E	Classroom	29 Lbs	6 Pcs	Item No.	3S5092	3S5090	3S5192	3S5190
501-E	Passage	26 Lbs	6 Pcs	Item No.	3S5012	3S5010	—	—
502-E	Privacy	26 Lbs	6 Pcs	Item No.	3S5022	3S5020	—	—
515-E	Dummy	18 Lbs	12 Pcs	Item No.	3S5052	3S5050	—	—

Core not Included.



DELANEY

Copyright © DELANEY HARDWARE. All rights reserved.