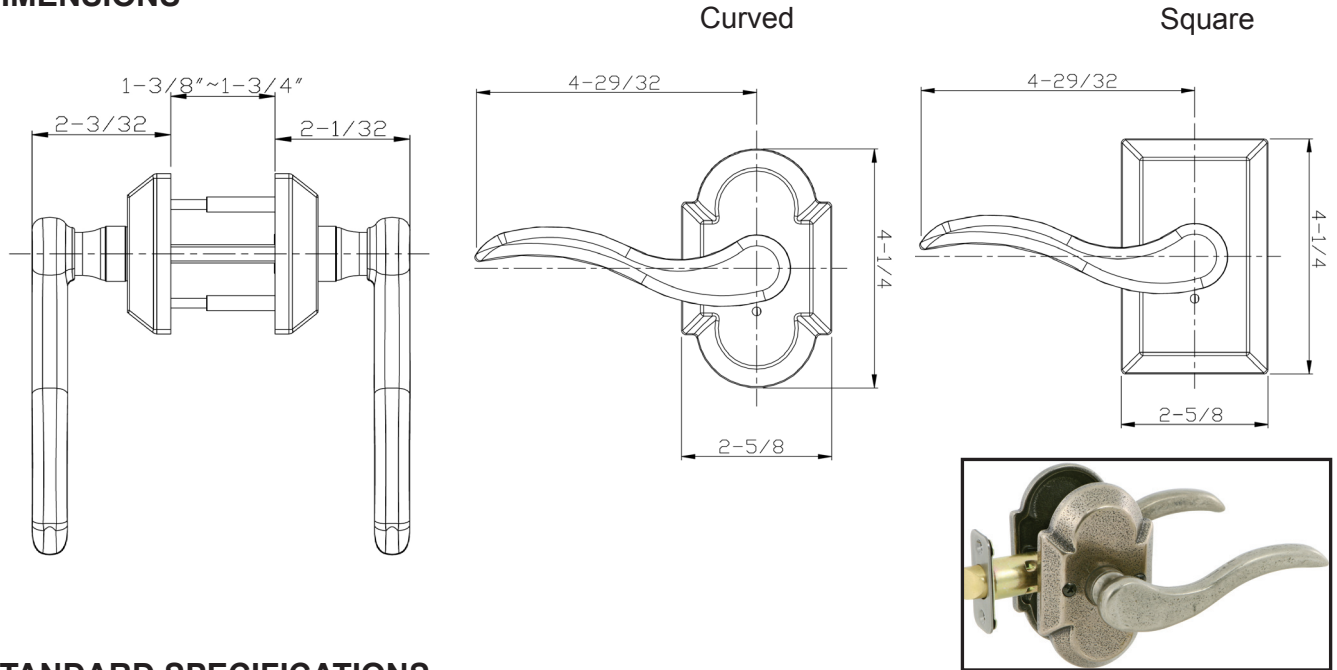


RONDA®

SANDCAST COLLECTION



DIMENSIONS

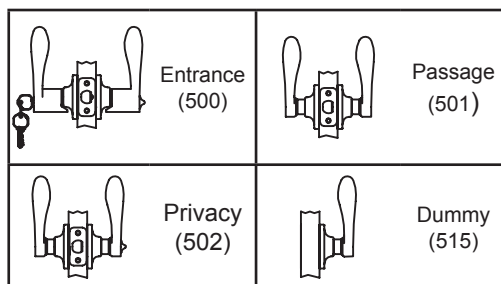


STANDARD SPECIFICATIONS

Door Prep	Cross bore: 2-1/8" Edge bore: 1" Latch face: 1" x 2-1/4"	Latches	Entrance: 2-3/8" & 2-3/4" adjustable (9050R) Passage/Privacy: 2-3/8" & 2-3/4" adjustable (9079R) Faceplate: 1" x 2-1/4" round corner Bolt: 1/2" Solid Brass throw
Backset	Fits 2-3/8" and 2-3/4"	Strikes	1-3/4" x 2-1/4" full lip round corner (9103)
Door Thickness	1-3/8" ~ 1-3/4" door standard.	Wood Screws	Combination screws that suit both wood or metal door mounting
Cylinder	SC4 6-pin standard. KW1 5-Pin Optional. Entries packed KA4	Door Handing	Specify LH or RH

Model	Function	WT/CTN	CTN QTY	AP Aged Pewter		ABR Aged Bronze		ABK Aged Black		
				CURVED	SQUARE	CURVED	SQUARE	CURVED	SQUARE	
500T-RN	Entrance	20 Lbs	4 Pcs	Item No.	691708C	691708S	691700C	691700S	691709C	691709S
501T-RN	Passage	28 Lbs	6 Pcs	Item No.	694708C	694708S	694700C	694700S	694709C	694709S
502T-RN	Privacy	28 Lbs	6 Pcs	Item No.	692708C	692708S	692700C	692700S	692709C	692709S
515-RN	Dummy	24 Lbs	12 Pcs	Item No.	695708C	695708S	695700C	695700S	695709C	695709S

FUNCTIONS



HANDING GUIDE

Standing OUTSIDE the private area, regardless of whether the door swings toward you or away from you, if the Hinges are on the left, order a Left Hand (LH) lock. Likewise, if the Hinges are on the right, order a Right Hand (RH) lock.

