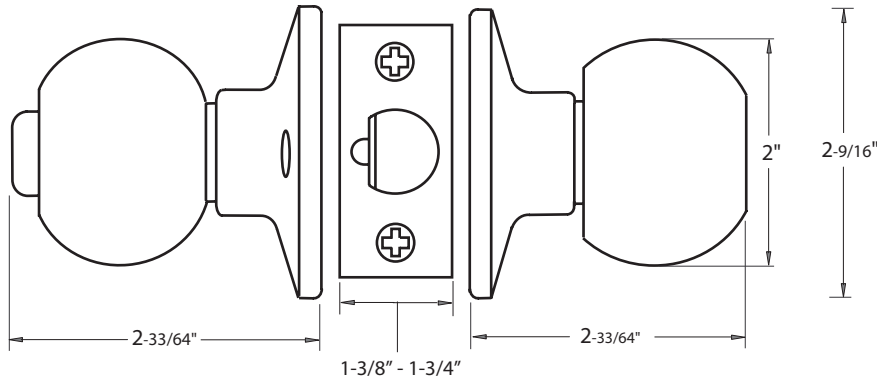


BELTON® GRADE 3



DIMENSIONS



STANDARD SPECIFICATIONS

Door Prep	Cross bore: 2-1/8" Edge bore: 1" Latch face: 1" x 2-1/4"	Latches <i>(6-Way Available)</i>	Entrance: 2-3/8" & 2-3/4" adjustable (9073) Passage/Privacy: 2-3/8" & 2-3/4" adjustable (9074) Faceplate: 1" x 2-1/4" round corner Bolt: 1/2" throw
Backset	Fits 2-3/8" and 2-3/4"	Strikes	1-3/4" x 2-1/4" full lip round corner (9103)
Door Thickness	1-3/8" ~ 1-3/4" door standard	Wood Screws	Combination screws that suit both wood or metal door mounting
Cylinder	KW1 5-pin standard (Solid Brass) SC1 5-Pin optional. Entries packed KA5	Door Handing	Not Required

Model	Function	WT/ LB	CTN QTY		US32D Stainless Steel	US3 Bright Brass	US10B Oil Rubbed Bronze	US12P Tuscany Bronze
100T - BT	Entrance	27 Lbs	20 Pcs	Item No.	D11322	D11323	D11329	D11327
101T - BT	Passage	22 Lbs	20 Pcs	Item No.	D14322	D14323	D14329	D14327
102T - BT	Privacy	22 Lbs	20 Pcs	Item No.	D12322	D12323	D12329	D12327
115 - BT	Dummy	9 Lbs	20 Pcs	Item No.	D15322	D15323	D15329	D15327
300T - BT	Combo	52 Lbs	20 Pcs	Item No.	D18322	D18313	—	—

FUNCTIONS

Entrance (100)	Passage (101)
Privacy (102)	Dummy (115)



DELANEY®

Copyright © THE DELANEY CO. All rights reserved.