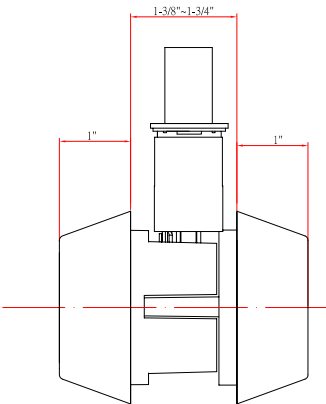
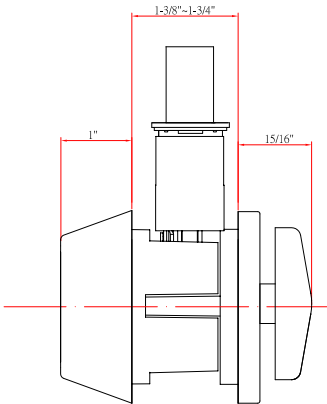


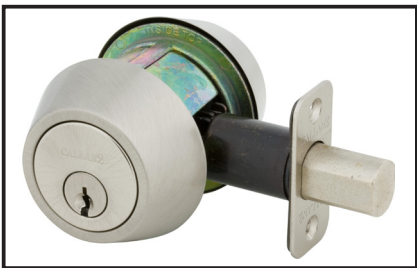
DEADBOLTS

GRADE 2 RESIDENTIAL

DIMENSIONS



Single Cylinder (200)



Double Cylinder (210)

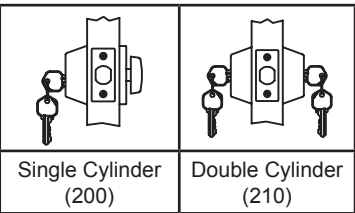
STANDARD SPECIFICATIONS

Door Prep	Cross bore: 2-1/8" Edge bore: 1" Latch face: 1" x 2-1/4"	Latches	Deadbolt: 2-3/8" & 2-3/4" adjustable (C9092 R/S) Faceplate: 1" x 2-1/4" Rd. & Sq. corner Bolt: 1" throw with hardened steel rod
Backset	Fits 2-3/8" and 2-3/4"	Strikes	2-1/4" full lip Rd. & Sq. corner (9118R/S). Includes Reinforcement Plate.
Door Thickness	1-3/8" ~ 1-3/4" door standard 2-1/4" Ext. Kit available	Wood Screws	Combination screws that suit both wood or metal door mounting. Includes 1-1/2" Security Screws.
Cylinder	SC1 5-pin standard ; KW1 5-pin optional Deadbolts packed KA5	Grade 2 Features	<ul style="list-style-type: none"> Protective collar Interlocking installation guides Reinforced spring assembly High Security Strike Assembly

PRICING

Model	Function	WT/ LB	CTN QTY		US3 Bright Brass	US15 Satin Nickel	US10BE Edged Bronze	US5 Antique Brass
200S-G2	Single Cylinder	19 Lbs	10 Pcs	Item No.	G2KA2003	G2KA2001	G2KA2007	G2KA2005
				List Price				
210S-G2	Double Cylinder	23 Lbs	10 Pcs	Item No.	G2KA2103	G2KA2101	G2KA2107	G2KA2105
				List Price				

FUNCTIONS



Extension Kits Available
See Page C-45

