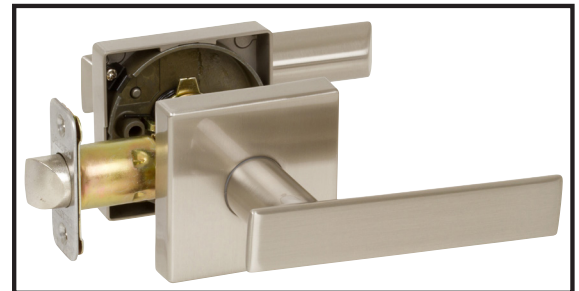
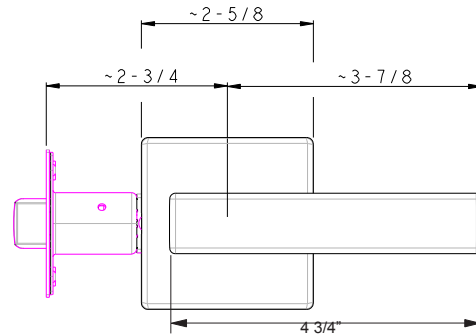
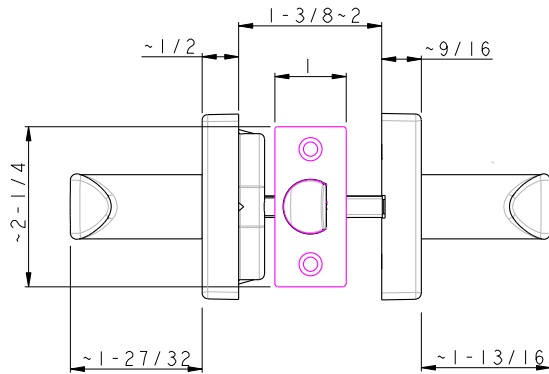


KIRA[®] GRADE 3



DIMENSIONS



STANDARD SPECIFICATIONS

Door Prep	Cross bore: 2-1/8" Edge bore: 1" Latch face: 1" x 2-1/4"	Latches	Passage/Privacy: 2-3/8" & 2-3/4" 6-way adjustable (9046R) Faceplate: 1" x 2-1/4" round corner Bolt: 1/2" throw
Backset	Fits 2-3/8" and 2-3/4"	Strikes	1-3/4" x 2-1/4" full lip round corner (9103)
Door Thickness	1-3/8" ~ 1-3/4" door standard	Wood Screws	Combination screws that suit both wood or metal door mounting
Door Handing	Non-Handed	Features	Privacy Function is Panic Proof

Model	Function	WT/LB	CTN QTY	US15 Satin Nickel			US26 Polished Chrome	US12P Tuscany Bronze
				Item No.	352511	352516	352517	
501-KR	Passage	23 Lbs	10 Pcs	Item No.	352511	352516	352517	
502-KR	Privacy	24 Lbs	10 Pcs	Item No.	352521	352526	352527	
515-KR	Dummy	24 Lbs	20 Pcs	Item No.	352551	352556	352557	

FUNCTIONS

	Passage (501)
	Privacy (502)
	Dummy (515)



DELANEY[®]

Copyright © THE DELANEY CO. All rights reserved.