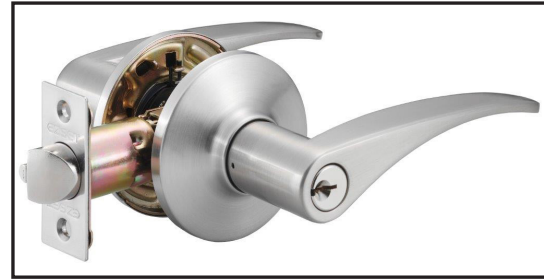
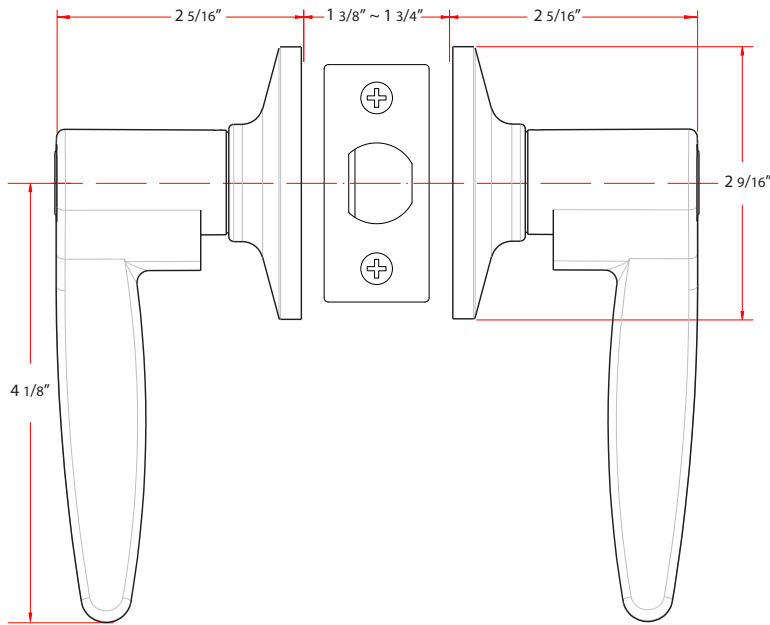


DAYTON™ GRADE 3



DIMENSIONS



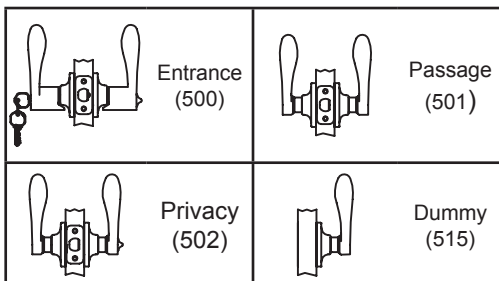
STANDARD SPECIFICATIONS

Door Prep	Cross bore: 2-1/8" Edge bore: 1" Latch face: 1" x 2-1/4"
Backset	Fits 2-3/8" and 2-3/4"
Door Thickness	1-3/8" ~ 1-3/4" door standard
Cylinder	KW1 5-pin standard (Solid Brass) SC1 5-Pin optional. Entries packed KA5
Latches <i>(6-Way Available)</i>	Entrance: 2-3/8" & 2-3/4" adjustable (9045R) Passage/Privacy: 2-3/8" & 2-3/4" adj. (9074) Faceplate: 1" x 2-1/4" round corner Bolt: 1/2" throw
Strikes	1-3/4" x 2-1/4" full lip round corner (9103)
Wood Screws	Combination screws that suit both wood or metal door mounting
Door Handing	Reversible. Handing required for Dummy function only



Model	Function	WT/ CTN	CTN QTY		US15 Satin Nickel	US26 Polished Chrome	US12P Tuscany Bronze
500T - DT	Entrance	26 Lbs	20 Pcs	Item No.	D20720	D20726	D20727
500T - DT	Push Button Entry (Panic Proof)	26 Lbs	20 Pcs	Item No.	D20720P	D20726P	D20727P
501T - DT	Passage	23 Lbs	20 Pcs	Item No.	D24720	D24726	D24727
502T - DT	Privacy	24 Lbs	20 Pcs	Item No.	D22720	D22726	D22727
502T - DT	Push Button Privacy (Panic Proof)	24 Lbs	20 Pcs	Item No.	D22720P	D22726P	D22727P
515 - DT	Dummy	15 Lbs	20 Pcs	Item No.	D25720	D25726	D25727

FUNCTIONS



HANDING GUIDE

