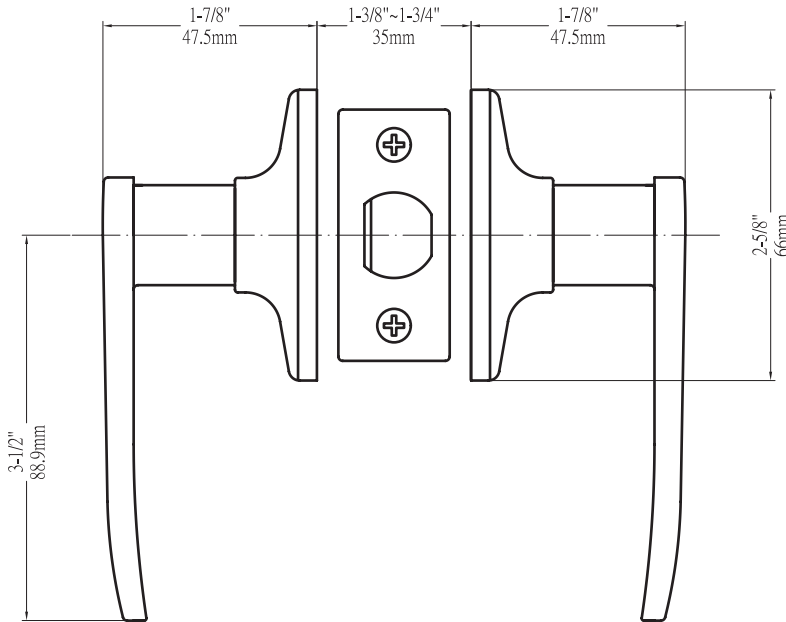


ASHEVILLE® GRADE 3

CALLAN

DIMENSIONS

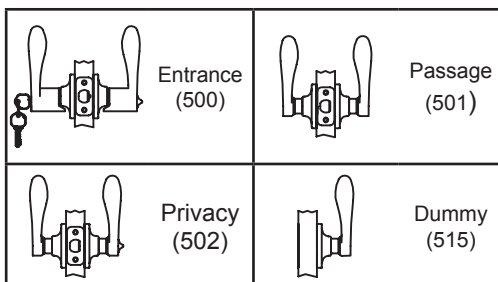


STANDARD SPECIFICATIONS

| | |
|-----------------------|---|
| Door Prep | Cross bore: 2-1/8" Edge bore: 1" Latch face: 1" x 2-1/4" |
| Backset | Fits 2-3/8" and 2-3/4" |
| Door Thickness | 1-3/8" ~ 1-3/4" door standard 2-1/4" Ext. Kit available |
| Cylinder | KW1 5-pin standard ; SC1 5-pin optional Entries packed KA5 |
| Latches | Entrance: 2-3/8" & 2-3/4" adjustable (9073) Passage/Privacy: 2-3/8" & 2-3/4" adj.(9074) Faceplate: 1" x 2-1/4" round corner Bolt: 1/2" throw |
| Strikes | 1-3/4" x 2-1/4" full lip round corner (9103) |
| Wood Screws | Combination screws that suit both wood or metal door mounting |
| Door Handing | Non-handed lever |

| Model | Function | WT/ LB | CTN QTY | US3 Bright Brass | | | US5 Antique Brass | | | US15 Satin Nickel | | |
|-----------|----------|-----------|------------|---------------------|----------|----------|----------------------|----------|----------|----------------------|--|--|
| | | | | Item No. | Item No. | Item No. | Item No. | Item No. | Item No. | Item No. | | |
| 500T - AH | Entrance | 35 Lbs | 20 Pcs | Item No. | AH5103 | AH5105 | AH5101 | | | | | |
| 501T - AH | Passage | 23 Lbs | 20 Pcs | Item No. | AH5013 | AH5015 | AH5011 | | | | | |
| 502T - AH | Privacy | 24 Lbs | 20 Pcs | Item No. | AH5023 | AH5025 | AH5021 | | | | | |
| 515 - AH | Dummy | 15 Lbs | 20 Pcs | Item No. | AH5053 | AH5055 | AH5051 | | | | | |

FUNCTIONS



Extension Kits Available



DELANEY®

Copyright © DELANEY HARDWARE. All rights reserved.