
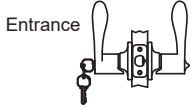


# Bravura KEYED ENTRY

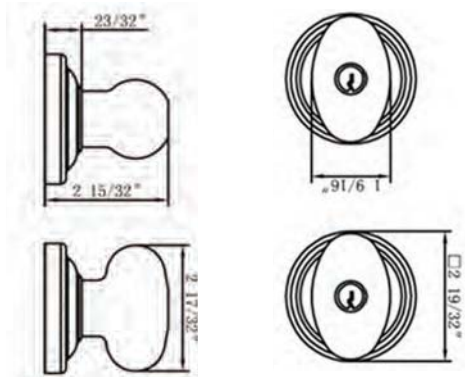
## Specifications: ANSI Rated Grade 2

<b>Door Prep</b>	Cross bore: 2-1/8" Edge bore: 1" Latch Face: 1" x 2-1/4" Mounting (center to center) 5-1/2"	<b>Latches</b>	2-3/8 to 2-3/4" Adjustable Latch Standard Drive-In Latch Available
		<b>Cylinder</b>	SC1 5-Pin C Keyway
<b>Door Thickness</b>	1-3/4" Standard, 1-3/8" Optional 2", 2-1/4", & 2-1/2" Extension Kits Available	<b>Strikes</b>	Full lip round corner (9103)
		<b>Door Handing</b>	Specify handing when ordering lever as Interior option
		<b>Functions</b>	Entrance  Entrance 



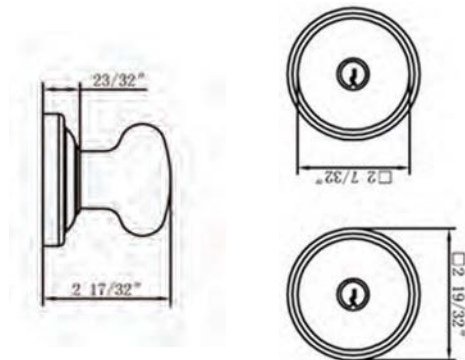
### 905K-0

Shown in US15  
Also available in: PVD, US10B, US26



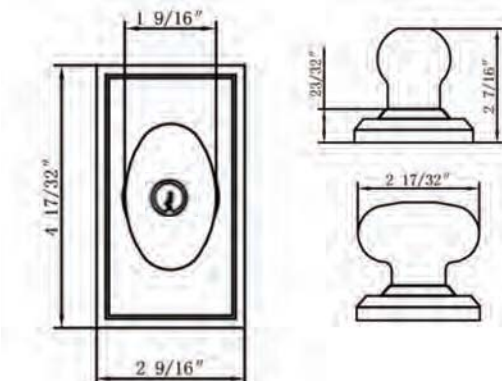
### 906K-0

Shown in US10B  
Also available in: PVD, US15, US26

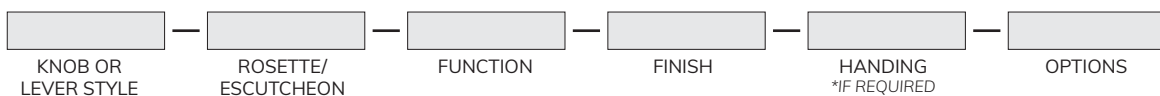


### 905GK-1

Shown in USD10B  
Also available in: US10B, US15, USD15A



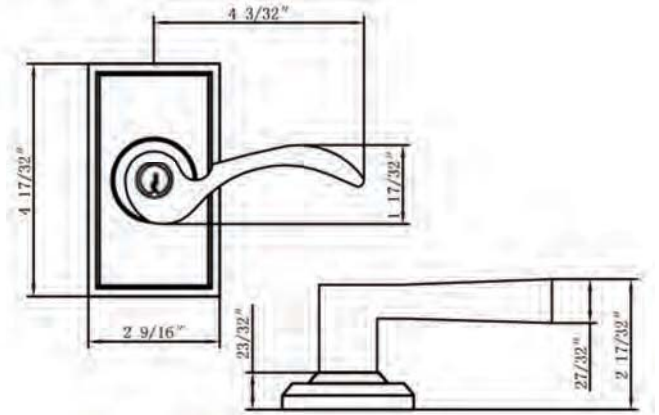
## HOW TO ORDER KEYED LOCKSETS





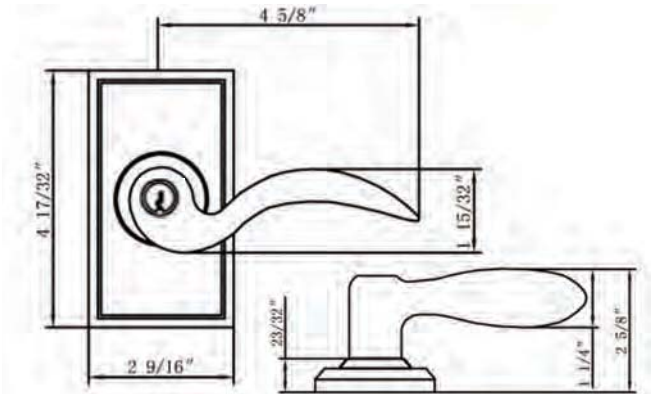
### 903GK-1

Shown in US15  
Also available in: US10B



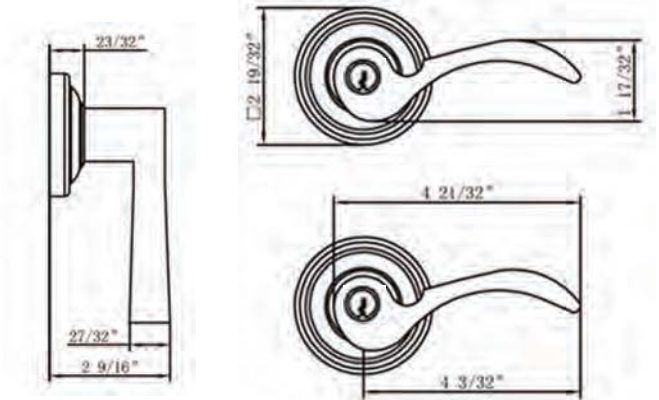
### 909GK-1

Shown in USD15A  
Also available in: US10B, USD10B, US15



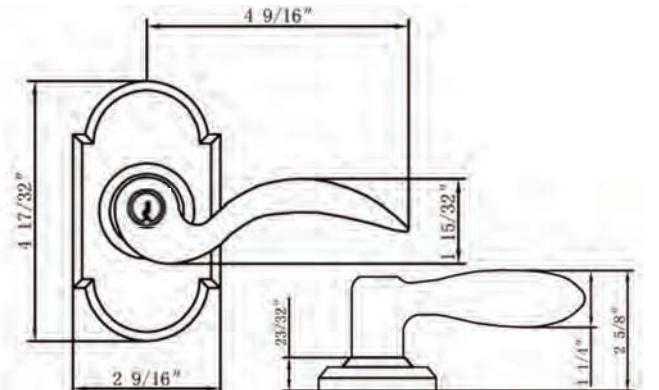
### 903K-0

Shown in US15  
Also available in: US10B



### 909GK-2

Shown in US10B  
Also available in: US15, USD15A



### HOW TO ORDER KEYED LOCKSETS

