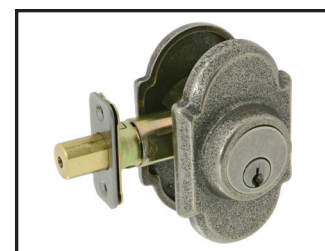
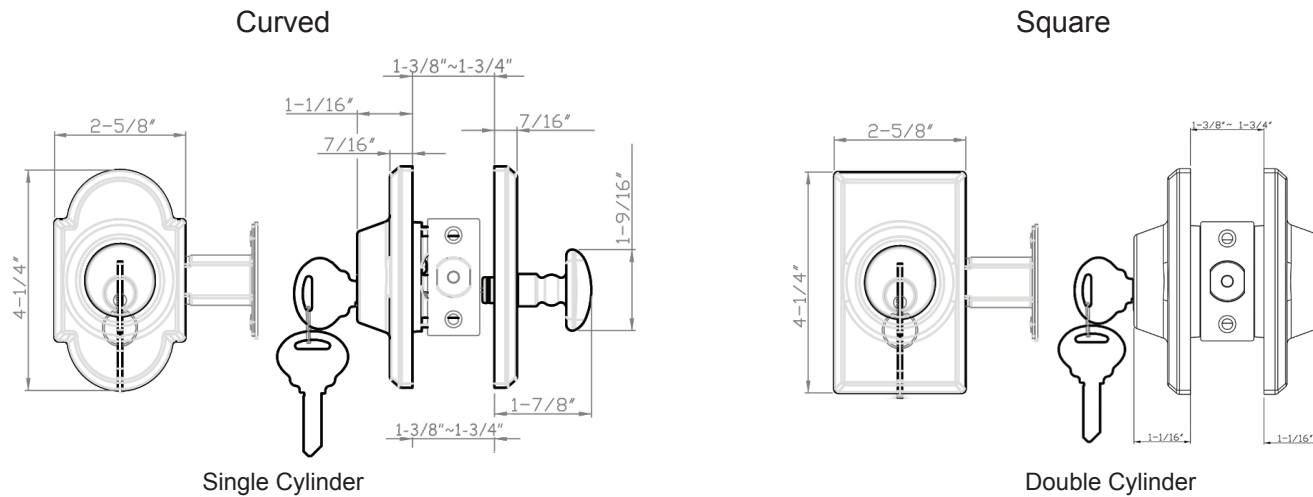


# DEADBOLTS

## SANDCAST COLLECTION



### DIMENSIONS

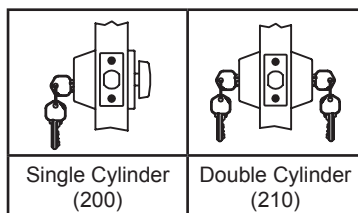


### STANDARD SPECIFICATIONS

<b>Door Prep</b>	Cross bore: 2-1/8" Edge bore: 1" Latch face: 1" x 2-1/4"	<b>Latches</b>	Deadbolt: 2-3/8" & 2-3/4" adjustable (9092) Faceplate: 1" x 2-1/4" round corner Bolt: Brass with hardened steel rod. Full 1" throw
<b>Backset</b>	Fits 2-3/8" and 2-3/4"	<b>Strikes</b>	1-3/4" x 2-1/4" round corner (9113 & 9117)
<b>Door Thickness</b>	1-3/8" ~ 1-3/4" door standard	<b>Wood Screws</b>	Combination screws that suit both wood or metal door mounting Includes 3" Security Screws
<b>Cylinder</b>	SC4 6-pin standard. KW1 5-Pin Optional. Deadbolts packed KA4	<b>Door Handing</b>	Not Required

Model	Function	WT/CTN	CTN QTY	AP Aged Pewter		ABR Aged Bronze		ABK Aged Black		
				CURVED	SQUARE	CURVED	SQUARE	CURVED	SQUARE	
200-IM	Single Cylinder	34 Lbs	12 Pcs	Item No.	631008C	631008S	631000C	631000S	631009C	631009S
210-IM	Double Cylinder	40 Lbs	12 Pcs	Item No.	631508C	631508S	631500C	631500S	631509C	631509S

### FUNCTIONS



**DELANEY**

Copyright © DELANEY HARDWARE. All rights reserved.