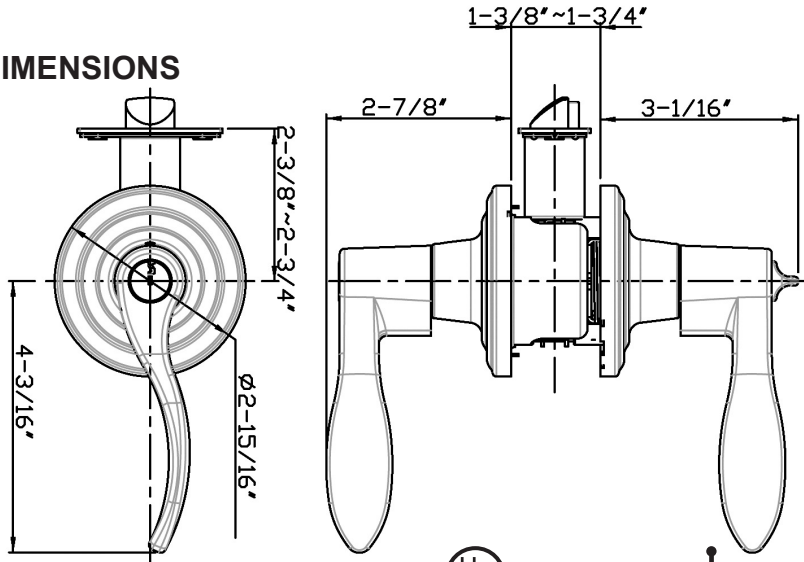


REGENCY (GRADE 2)



DIMENSIONS



STANDARD SPECIFICATIONS

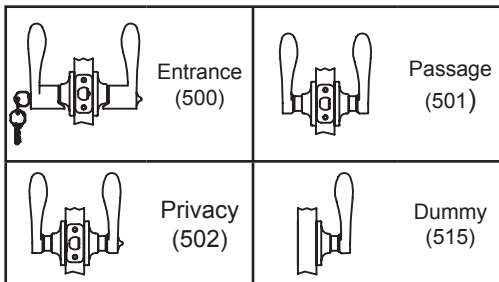


Door Prep	Cross bore: 2-1/8" Edge bore: 1" Latch face: 1" x 2-1/4"	Latches	Entrance: 2-3/8" & 2-3/4" adjustable (9060R UL) Passage/Privacy: 2-3/8" & 2-3/4" adjustable (9064R) Faceplate: 1" x 2-1/4" round corner Bolt: 1/2" throw
Backset	Fits 2-3/8" and 2-3/4"	Strikes	1-3/4" x 2-1/4" full lip round corner (9103)
Door Thickness	1-3/8" ~ 1-3/4" door standard	Wood Screws	Combination screws that suit both wood or metal door mounting
Cylinder	KW1 5-pin standard (Solid Brass) SC4 6-pin optional. Entries packed KA5	Door Handing	Entry, Passage, Privacy: Reversible Storeroom, Classroom, Dummy, Interior: Specify LH or RH
		Grade 2 Features	<ul style="list-style-type: none"> • Protective Collar • Panic Proof • Reinforced Spring Assembly • 3-Hr Fire Latch (500, 504, 509)

ITEM DETAILS

Model	Function	WT/CTN	CTN QTY	US3 Bright Brass			US15 Satin Nickel			US12P Tuscany Bronze			
				Item No.			Item No.			Item No.			
500-RY-G2	Entrance	24 Lbs	10 Pcs	Item No.	321223			Item No.	321220			Item No.	321229
504-RY-G2	Storeroom	24 Lbs	10 Pcs	Item No.	—			Item No.	326220			Item No.	326229
509-RY-G2	Classroom	24 Lbs	10 Pcs	Item No.	—			Item No.	329220			Item No.	329229
501-RY-G2	Passage	22 Lbs	10 Pcs	Item No.	324223			Item No.	324220			Item No.	324229
502-RY-G2	Privacy	22 Lbs	10 Pcs	Item No.	322223			Item No.	322220			Item No.	322229
515-RY-G2	Dummy	21 Lbs	20 Pcs	Item No.	325223			Item No.	325220			Item No.	325229

FUNCTIONS



HANDING GUIDE

Standing OUTSIDE the private area, regardless of whether the door swings toward you or away from you, if the Hinges are on the left, order a Left Hand (LH) lock. Likewise, if the Hinges are on the right, order a Right Hand (RH) lock.

