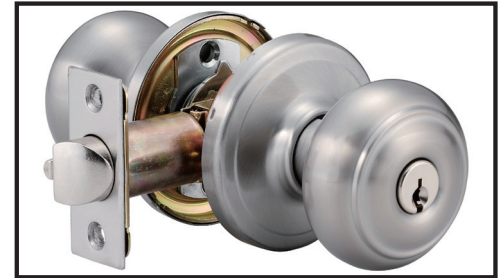
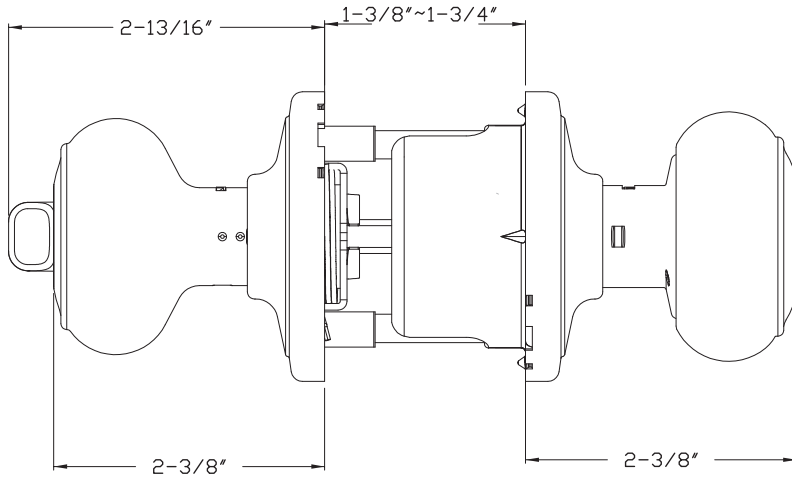


ORLYN GRADE 2



STANDARD SPECIFICATIONS



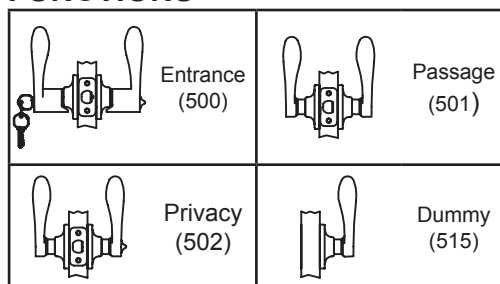
LISTED
Available



Door Prep	Cross bore: 2-1/8" Edge bore: 1" Latch face: 1" x 2-1/4"	Latches	Entrance: 2-3/8" & 2-3/4" adjustable (9060R UL) Passage/Privacy: 2-3/8" & 2-3/4" adjustable (9064R) Faceplate: 1" x 2-1/4" round corner Bolt: 1/2" throw
Backset	Fits 2-3/8" and 2-3/4"	Strikes	1-3/4" x 2-1/4" full lip round corner (9103)
Door Thickness	1-3/8" ~ 1-3/4" door standard	Wood Screws	Combination screws that suit both wood or metal door mounting
Cylinder	KW1 5-pin standard (Solid Brass) SC4 6-pin optional. Entries packed KA5	Door Handing	Entry, Passage, Privacy: Reversible Storeroom, Classroom, Dummy, Interior: Specify LH or RH
		Grade 2 Features	<ul style="list-style-type: none"> • Protective Collar • Panic Proof • Reinforced Spring Assembly • 3-Hr Fire Latch (500, 504, 509)

Model	Function	WT/CTN	CTN QTY		US15 Satin Nickel	US26 Polished Chrome	US12P Tuscany Bronze
100TT-OR-G2	Entrance	24 Lbs	10 Pcs	Item No.	311422	311426	311427
101TT-OR-G2	Passage	22 Lbs	10 Pcs	Item No.	314422	314426	314427
102TT-OR-G2	Privacy	22 Lbs	10 Pcs	Item No.	312422	312426	312427
115TT-OR-G2	Dummy	21 Lbs	20 Pcs	Item No.	315422	315426	315427

FUNCTIONS



HANDING GUIDE

Standing OUTSIDE the private area, regardless of whether the door swings toward you or away from you, if the Hinges are on the left, order a Left Hand (LH) lock. Likewise, if the Hinges are on the right, order a Right Hand (RH) lock.



DELANEY

Copyright © THE DELANEY CO. All rights reserved.