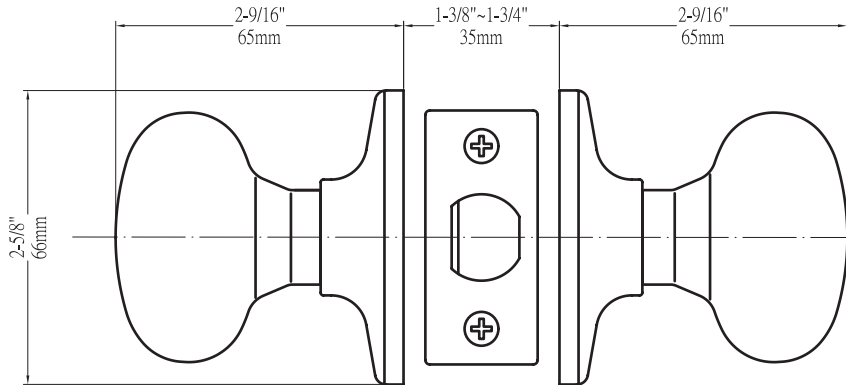


# SAXON GRADE 3

# CALLAN

## DIMENSIONS



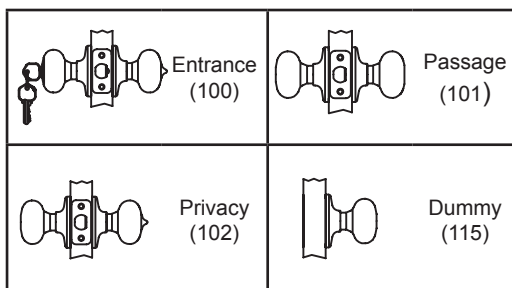
## STANDARD SPECIFICATIONS

<b>Door Prep</b>	Cross bore: 2-1/8" Edge bore: 1" Latch face: 1" x 2-1/4"	<b>Latches</b>	Entrance: 2-3/8" & 2-3/4" adjustable (9073) Passage/Privacy: 2-3/8" & 2-3/4" adjustable (9074) Faceplate: 1" x 2-1/4" round corner Bolt: 1/2" throw
<b>Backset</b>	Fits 2-3/8" and 2-3/4"	<b>Strikes</b>	1-3/4" x 2-1/4" full lip round corner (9103)
<b>Door Thickness</b>	1-3/8" ~ 1-3/4" door standard 2-1/4" Ext. Kit available	<b>Wood Screws</b>	Combination screws that suit both wood or metal door mounting
<b>Cylinder</b>	KW1 5-pin <b>standard</b> ; SC1 5-pin optional Entries packed KA5	<b>Door Handing</b>	Not Required

Model	Function	WT/ LB	CTN QTY		US3 Bright Brass	US15 Satin Nickel	US15A Antique Nickel	US5 Antique Brass	US26 Polished Chrome	US10B Oil Rubbed Bronze	US10BE Edged Bronze	BLACK	AS Antique Silver
100T-SA	Entrance	27 Lbs	20 Pcs	Item No.	KS1003	KS1001	KS1008	KS1005	KS1006	KS1000	KS1007	KS1004	KS1002
101T-SA	Passage	22 Lbs	20 Pcs	Item No.	KS1013	KS1011	KS1018	KS1015	KS1016	KS1010	KS1017	KS1014	KS1012
102T-SA	Privacy	22 Lbs	20 Pcs	Item No.	KS1023	KS1021	KS1028	KS1025	KS1026	KS1020	KS1027	KS1024	KS1022
115-SA	Dummy	9 Lbs	20 Pcs	Item No.	KS1053	KS1051	KS1058	KS1055	KS1056	KS1050	KS1057	KS1054	KS1052

## FUNCTIONS

Extension Kits Available



**DELANEY**<sup>®</sup>

Copyright © DELANEY HARDWARE. All rights reserved.